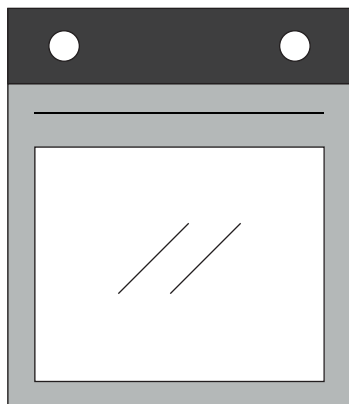


CANDY



User Instructions

OVENS

EN

2

Istruzioni per l'uso

FORNI

IT

13

Instrukcje użytkownika

PIEKARNIKI

PL

24

Summary

- 2** Safety Indications
- 7** General Instructions
- 9** Product description
- 10** Display description
- 10** Cooking Modes
- 11** General notes on cleaning
- 11** Maintenance
- 12** Troubleshooting
- 35** Installation

Safety Indications

- During cooking, moisture may condense inside the oven cavity or on the glass of the door. This is a normal condition. To reduce this effect, wait 10-15 minutes after turning on the power before putting food inside the oven. In any case, the condensation disappears when the oven reaches the cooking temperature.
- Cook the vegetables in a container with a lid instead of an open tray.
- Avoid leaving food inside the oven after cooking for more than 15/20 minutes.
- **WARNING:** the appliance and accessible parts become hot during use. Be careful not to touch any hot parts.
- **WARNING:** the accessible parts can become hot when the oven

- is in use. Young children should be kept at a safe distance.
- **WARNING:** ensure that the appliance is switched off before replacing the bulb, to avoid the possibility of electric shocks.
 - Disconnect the appliance from the mains electricity supply before carrying out any work or maintenance.
 - **WARNING:** in order to avoid any danger caused by the accidental resetting of the thermal interruption device, the appliance should not be powered by an external switching device, such as a timer, or be connected to a circuit that is regularly switched on and off.
 - Children under 8 should be kept at a safe distance from the appliance if not continuously supervised.
 - Children should not play with the appliance.
 - The appliance can be used by those aged 8 or over and by those with limited physical, sensorial or mental capacities, without experience or knowledge of the product, only if supervised or provided with instruction as to the operation of the appliance, in a safe way with awareness of the possible risks.
 - Cleaning and maintenance should not be carried out by unsupervised children.
 - Do not use rough or abrasive materials or sharp metal scrapers to clean the oven door glasses, as they can scratch the surface and cause the glass to shatter.
 - The oven must be switched off before removing the removable parts. After cleaning, reassemble them according the instructions.
 - Only use the meat probe recommended for this oven.
 - Do not use a steam cleaner or high pressure spray for cleaning operations.
 - **WARNING:** the accessible parts can become hot when the grill is in use. Children should be kept at a safe distance.
 - IF THE OVEN IS PROVIDED BY THE MANUFACTURER WITH-

OUT PLUG:THE APPLIANCE MUST NOT BE CONNECTED TO THE POWER SOURCE USING PLUG OR SOCKETS, BUT MUST BE DIRECTLY CONNECTED TO THE SUPPLY MAINS. The connection to the power source must be carried out by a suitably qualified professional. In order to have an installation compliant to the current safety legislation the oven must be connected only placing an omnipolar breaker, with contact separation compliant to the requirements for overvoltage category III, between the appliance and the power source. The omnipolar breaker must bear the maximum connected load and must be in line with current legislation. The yellow-green earth cable should not be interrupted by the breaker. The omnipolar breaker used for the connection must be easily accessible when the appliance is installed. The connection to the power source must be carried out by a suitably qualified professional considering the polarity of the oven and of the power source. The disconnection must be achieved incorporating a switch in the fixed wiring in accordance with the wiring rules

- IF THE OVEN IS PROVIDED BY THE MANUFACTURER WITH PLUG:The socket must be suitable for the load indicated on the tag and must have ground contact connected and in operation. The earth conductor is yellow-green in colour. This operation should be carried out by a suitably qualified professional. In case of incompatibility between the socket and the appliance plug, ask a qualified electrician to substitute the socket with another suitable type. The plug and the socket must be conformed to the current norms of the installation country. Connection to the power source can also be made by placing an omnipolar breaker, with contact separation compliant to the requirements for overvoltage category III, between the appliance and the power source that can bear the maximum connected load and that is in line with current legislation. The yellow-green earth cable

should not be interrupted by the breaker. The socket or omnipolar breaker used for the connection should be easily accessible when the appliance is installed. The disconnection may be achieved by having the plug accessible or by incorporating a switch in the fixed wiring in accordance with the wiring rules.

- If the power cable is damaged, it should be substituted with a cable or special bundle available from the manufacturer or by contacting the customer service department. The type of power cable must be H05V2V2-F. This operation should be carried out by a suitably qualified professional. The earth conductor (yellow-green) must be approximately 10 mm longer than the other conductors. For any repairs, refer only to the Customer Care Department and request the use of original spare parts.
- Failure to comply with the above can compromise the safety of the appliance and invalidate the guarantee.
- Any excess of spilled material should be removed before cleaning.
- A long power supply failure during an occurring cooking phase may cause a malfunction of the monitor. In this case contact customer service.
- The appliance must not be installed behind a decorative door in order to avoid overheating.
- When you place the shelf inside, make sure that the stop is directed upwards and in the back of the cavity. The shelf must be inserted completely into the cavity.
- When inserting the grid tray pay attention that the anti-slide edge is positioned rearwards and upwards.
- **WARNING:** Do not line the oven walls with aluminium foil or single-use protection available from stores. Aluminium foil or any other protection, in direct contact with the hot enamel, risk melting and deteriorating the enamel of the insides.
- **WARNING:** Never remove the oven door seal.

- CAUTION: Do not refill the cavity bottom with water during cooking or when the oven is hot.
- No additional operation/setting is required in order to operate the appliance at the rated frequencies.
- The oven can be located high in a column or under a worktop. Before fixing, you must ensure good ventilation in the oven space to allow proper circulation of the fresh air required for cooling and protecting the internal parts. Make the openings specified on last page according to the type of fitting.
- For a correct use of the oven it is advisable not to put the food in direct contact with the racks and trays, but to use oven papers and / or special containers.

General Instructions

We thank you for choosing one of our products. For the best results with your oven, you should read this manual carefully and retain it for future reference. Before installing the oven, take note of the serial number so that you can give it to customer service staff if any repairs are required. Having removed the oven from its packaging, check that it has not been damaged during transportation. If you have doubts, do not use the oven and refer to a qualified technician for advice. Keep all of the packaging material (plastic bags, polystyrene, nails) out of the reach of children. When the oven is switched on for the first time, strong smelling smoke can develop, which is caused by the glue on the insulation panels surrounding the oven heating for the first time. This is absolutely normal and, if it occurs, you should wait for the smoke to dissipate before putting food in the oven. The manufacturer accepts no responsibility in cases where the instructions contained in this document are not observed.

NOTE: the oven functions, properties and accessories cited in this manual will vary, depending on the model you have purchased.

Safety Indications

Only use the oven for its intended purpose, that is only for the cooking of foods; any other use, for example as a heat source, is considered improper and therefore dangerous. The manufacturer cannot be held responsible for any damage resulting from improper, incorrect or unreasonable usage.

The use of any electrical appliance implies the observance of some fundamental rules:

- do not pull on the power cable to disconnect the plug from the socket;
- do not touch the appliance with wet or damp hands or feet;
- in general the use of adaptors, multiple sockets and extension cables is not recommended;
- in case of malfunction and/or poor operation, switch off the appliance and do not tamper with it.

Electrical Safety

ENSURE THAT AN ELECTRICIAN OR QUALIFIED TECHNICIAN MAKES THE ELECTRICAL CONNECTIONS. The power supply to which the oven is connected must conform with the laws in force in the country of installation. The manufacturer accepts no responsibility for any damage caused by the failure to observe these instructions. The oven must be connected to an electrical supply with an earthed wall outlet or a disconnecter with multiple poles, depending on the laws in force in the country of installation. The electrical supply should be protected with suitable fuses and the cables used must have a transverse section that can ensure correct supply to the oven.

CONNECTION

The oven is supplied with a power cable that should only be connected to an electrical supply with 220-240 Vac power between the phases or between the phase and neutral. Before the oven is connected to the electrical supply, it is important to check:

- power voltage indicated on the gauge;
- the setting of the disconnecter.

The grounding wire connected to the oven's earth terminal must be connected to the earth terminal of the power supply.

WARNING

Before connecting the oven to the power supply, ask a qualified electrician to check the continuity of the power supply's earth terminal. The manufacturer accepts no responsibility for any accidents or other problems caused by failure to connect the oven to the earth terminal or by an earth connection that has defective continuity.

NOTE: as the oven could require maintenance work, it is advisable to keep another wall socket available so that the oven can be connected to this if it is removed from the space in which it is installed. The power cable must only be substituted by technical service staff or by technicians with equivalent qualifications.

A low light around the central main switch could be present when the oven is off. This is a normal behavior. It can be removed just turning the plug upside down or swapping the supply terminals.

Recommendations

After each use of the oven, a minimum of cleaning will help keep the oven perfectly clean.

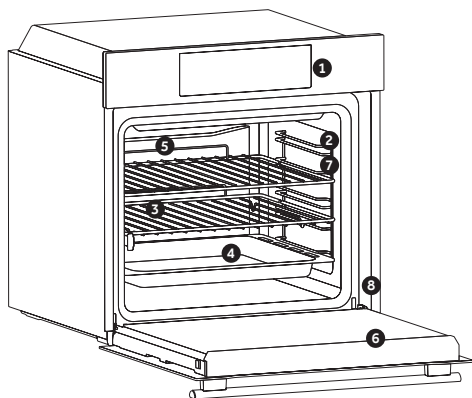
Do not line the oven walls with aluminium foil or single-use protection available from stores. Aluminium foil or any other protection, in direct contact with the hot enamel, risks melting and deteriorating the enamel of the insides. In order to prevent excessive dirtying of your oven and the resulting strong smokey smells, we recommend not using the oven at very high temperature. It is better to extend the cooking time and lower the temperature a little. In addition to the accessories supplied with the oven, we advise you only use dishes and baking moulds resistant to very high temperatures.

Installation

The manufacturers have no obligation to carry this out. If the assistance of the manufacturer is required to rectify faults arising from incorrect installation, this assistance is not covered by the guarantee. The installation instructions for professionally qualified personnel must be followed. Incorrect installation may cause harm or injury to people, animals or belongings. The manufacturer cannot be held responsible for such harm or injury.

The oven can be located high in a column or under a worktop. Before fixing, you must ensure good ventilation in the oven space to allow proper circulation of the fresh air required for cooling and protecting the internal parts. Make the openings specified on last page according to the type of fitting.

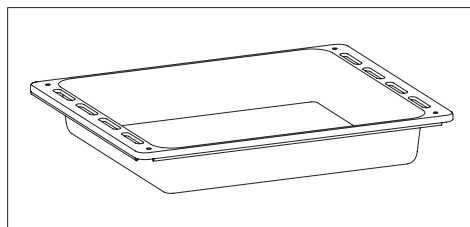
Product description



1. Control panel
2. Shelf positions (lateral wire grid if included)
3. Grids
4. Trays
5. Fan (if present)
6. Oven door
7. Lateral wire grids (if present: only for flat cavity)
8. **Serial number**

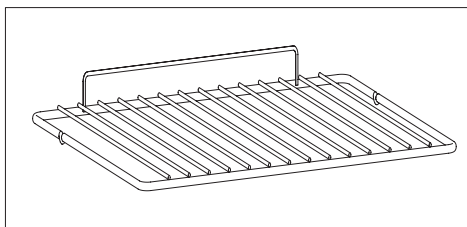
ACCESSORIES

Drip tray



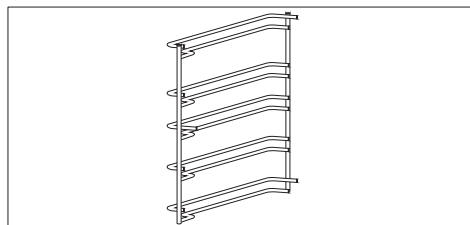
Collects residues that drip when cooking food on the grills.

Metal grid



Holds baking trays and plates.

Lateral wire grids (only if present)

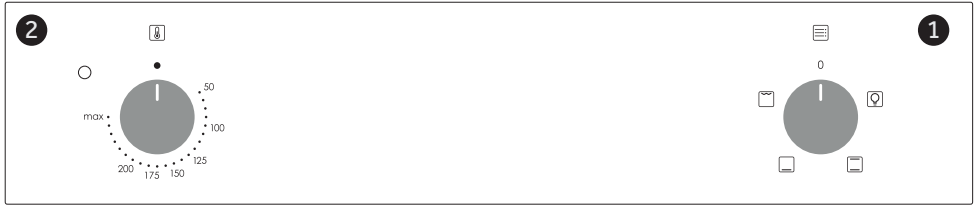


Located on both sides of the oven cavity, holds metal grills and drip pans.

First Use





PRELIMINARY CLEANING; Clean the oven before using for the first time. Wipe over external surfaces with a damp soft cloth. Wash all accessories and wipe inside the oven with a solution of hot water and washing up liquid. Set the empty oven to the maximum temperature and leave on for about 1 hour, this will remove any lingering smells of newness.

Display description



1. Function selector knob
2. Thermostat selector knob

Cooking Modes

Symbol	T °C de-fault	T °C range	Function
			LAMP: Turns on the oven light.
	220	50 ÷ MAX	* CONVENTIONAL : Both top and bottom heating elements are used. Preheat the oven for about ten minutes. This method is ideal for all traditional roasting and baking. For seizing red meats, roast beef, leg of lamb, game, bread, foil wrapped food (papillotes), flaky pastry. Place the food and its dish on a shelf in mid position.
	210	50 ÷ MAX	BOTTOM HEATING: Using the lower element. Ideal for cooking all pastry based dishes. Use this for flans, quiches, tarts, pate and any cooking that needs more heat from below.
	200	50 ÷ MAX	GRILL: use the grill with the door closed. The top heating element is used alone and you can adjust the temperature. Five minutes preheating is required to get the elements red-hot. Success is guaranteed for grills, kebabs and gratin dishes. White meats should be put at a distance from the grill; the cooking time is longer, but the meat will be tastier. You can put red meats and fish fillets on the shelf with the drip tray underneath.

* Tested in accordance with the EN 60350-1 for the purpose of energy consumption declaration and energy class.

General notes on cleaning

The lifecycle of the appliance can be extended through regular cleaning. Wait for the oven to cool before carrying out manual cleaning operations. Never use abrasive detergents, steel wool or sharp objects for cleaning, so as to not irreparably damage the enamelled parts. Use only water, soap or bleach-based detergents (ammonia).

GLASS PARTS

It is advisable to clean the glass window with absorbent kitchen towel after every use of the oven. To remove more obstinate stains, you can use a detergent-soaked sponge, well wrung out, and then rinse with water.

OVEN WINDOW SEAL

If dirty, the seal can be cleaned with a slightly

damp sponge.

ACCESSORIES

Clean accessories with a wet, soapy sponge before rinsing and drying them: avoid using abrasive detergents.

DRIP PAN

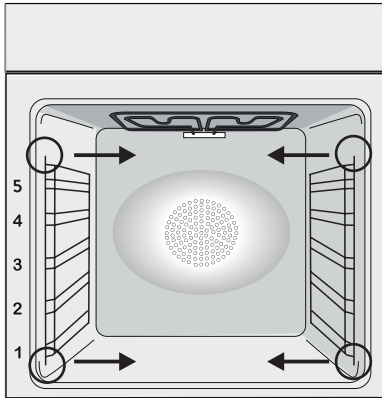
After using the grill, remove the pan from the oven. Pour the hot fat into a container and wash the pan in hot water, using a sponge and washing-up liquid.

If greasy residues remain, immerse the pan in water and detergent. Alternatively, you can wash the pan in the dishwasher or use a commercial oven detergent. Never put a dirty pan back into the oven.

Maintenance

REMOVAL AND CLEANING OF THE SIDE RACKS

1. Remove the wire racks by pulling them in the direction of the arrows (see below)
2. To clean the wire racks either put them in the dishwasher or use a wet sponge, ensuring that they are dried afterwards.
3. After the cleaning process install the wire racks in reverse order."



CHANGING THE BULB

1. Disconnect the oven from the mains supply.
2. Undo the glass cover, unscrew the bulb and replace it with a new bulb of the same type.
3. Once the defective bulb is replaced, replace the glass cover.

This product contains one or more light sources of energy efficiency class G (Lamp) /F (10 Led).

Waste management and environmental protection



This appliance is labelled in accordance with European Directive 2012/19/EU regarding electric and electronic appliances (WEEE). The WEEE contain both polluting substances (that can have a negative effect on the environment) and base elements (that can be reused). It is important that the WEEE undergo specific treatments to correctly remove and dispose of the pollutants and recover all the materials. Individuals can play an important role in ensuring that the WEEE do not become an environmental problem; it is essential to follow a few basic rules:

- the WEEE should not be treated as domestic waste;
- the WEEE should be taken to dedicated collection areas managed by the town council or a registered company.

In many countries, domestic collections may be available for large WEEEs. When you buy a new appliance, the old one can be returned to the vendor who must accept it free of charge as a one-off, as long as the appliance is of an equivalent type and has the same functions as the purchased appliance.

SAVING AND RESPECTING THE ENVIRONMENT

Where possible, avoid pre-heating the oven and always try to fill it. Open the oven door as infrequently as possible, because heat from the cavity disperses every time it is opened. For a significant energy saving, switch off the oven between 5 and 10 minutes before the planned end of the cooking time, and use the residual heat that the oven continues to generate. Keep the seals clean and in order, to avoid any heat dispersal outside of the cavity. If you have an electric contract with an hourly tariff, the "delayed cooking" programme makes energy saving more simple, moving the cooking process to start at the reduced tariff time slot.

Troubleshooting

Problem	Possible cause	Solution
the oven does not heat up	The clock is not set	Set the clock
The oven does not heat up	A cooking function and temperature has not been set	Ensure that the necessary settings are correct
No reaction of the touch user interface	Steam and condensation on the user interface panel	Clean with a microfiber cloth the user interface panel to remove the condensation layer

Sommario

- 14** Indicazioni di Sicurezza
- 18** Avvertenze Generali
- 20** Descrizione del Prodotto
- 21** Descrizione del display
- 21** Modalità di cottura
- 22** Pulizia e manutenzione del forno
- 22** Manutenzione
- 23** Risoluzione dei Problemi
- 23** Garanzie
- 35** Installation

Indicazioni di Sicurezza

- Durante la cottura, l'umidità può condensarsi all'interno del vano cottura o sul vetro della porta. Questa è una condizione normale. Per ridurre questo effetto, attendere 10-15 minuti dopo l'accensione prima di mettere gli alimenti all'interno del forno. In ogni caso, la condensa scompare quando il forno raggiunge la temperatura di cottura.
- Cuocere le verdure in un contenitore con coperchio invece che in un vassoio aperto.
- Evitare di lasciare gli alimenti all'interno del forno dopo la cottura per più di 15/20 minuti.
- **AVVERTENZA:** l'elettrodomestico e le sue parti accessibili diventano calde durante l'uso. Fare attenzione a non entrare in contatto con componenti surriscaldati.
- **AVVERTENZA:** i componenti accessibili diventano caldi quando si utilizza il forno. Tenere i bambini a distanza di sicurezza.
- **AVVERTENZA:** Scollegare l'elettrodomestico dalla rete elettrica prima di effettuare operazioni di manutenzione o altre attività simili.
- **AVVERTENZA:** per evitare rischi causati da un involontario ripristino dell'interruttore automatico, l'elettrodomestico non deve essere alimentato da un dispositivo di commutazione esterno, quale ad esempio un contaminuti, oppure essere collegato ad un circuito che viene regolarmente acceso e spento.
- Mantenere lontano dall'elettrodomestico i bambini di età inferiore agli 8 anni, a meno che non siano continuamente supervisionati.
- I bambini non devono giocare con l'elettrodomestico. L'elettrodomestico può essere utilizzato da bambini di età superiore a 8 anni e da persone con ridotte capacità fisiche, sensoriali o mentali, oppure prive di esperienza e conoscenza, che siano state supervisionate o istruite riguardo all'uso dell'elettrodomestico

in sicurezza, comprendendo i rischi che derivano dall'uso dello stesso.

- Le operazioni di pulizia e manutenzione non devono essere effettuate dai bambini senza sorveglianza.
- Non utilizzare materiali ruvidi, abrasivi o raschietti metallici affilati per pulire le porte in vetro del forno, dato che possono graffiare la superficie e causare la frantumazione del vetro.
- Il forno deve essere spento prima di rimuovere le parti rimovibili.
- Dopo la pulizia, rimontarle secondo le istruzioni.
- Utilizzare solo la sonda carne consigliata per questo forno.
- Non utilizzare pulitori a vapore o spruzzatori ad alta pressione per le operazioni di pulizia.
- SE IL FORNO È FORNITO DAL PRODUTTORE SENZA SPINA: L'APPARECCHIO NON DEVE ESSERE COLLEGATO ALLA FONTE DI ALIMENTAZIONE TRAMITE SPINA O PRESE, MA DEVE ESSERE COLLEGATO DIRETTAMENTE ALLA RETE DI ALIMENTAZIONE. Il collegamento alla fonte di alimentazione deve essere effettuato da un professionista adeguatamente qualificato. Per avere un'installazione conforme alla normativa vigente in materia di sicurezza il forno deve essere collegato solo posizionando un interruttore omipolare, con separazione dei contatti conforme ai requisiti per la categoria di sovratensione III, tra l'apparecchio e la fonte di alimentazione. L'interruttore omipolare deve sopportare il carico massimo collegato e deve essere in linea con la normativa vigente. Il cavo di terra giallo-verde non deve essere interrotto dall'interruttore automatico. L'interruttore omipolare utilizzato per il collegamento deve essere facilmente accessibile quando l'apparecchio è installato. Il collegamento alla fonte di alimentazione deve essere effettuato da un professionista adeguatamente qualificato considerando la polarità del forno e della fonte di alimentazione. La disconnessione deve essere realizzata incorporando un interruttore nel cablaggio fisso secondo le regole di cablaggio
- SE IL FORNO È FORNITO DAL PRODUTTORE CON SPINA:

La presa deve essere adatta al carico indicato sulla targhetta e deve avere il contatto di terra collegato e in funzione. Il conduttore di terra è giallo-verde. Questa operazione deve essere eseguita da un professionista adeguatamente qualificato. In caso di incompatibilità tra la presa e la spina dell'apparecchio, chiedere a un elettricista qualificato di sostituire la presa con un altro tipo adatto. La spina e la presa devono essere conformi alle normative attuali del paese di installazione. Il collegamento alla fonte di alimentazione può essere effettuato anche posizionando un interruttore omnipolare, con separazione dei contatti conforme ai requisiti per la categoria di sovratensione III, tra l'apparecchio e la fonte di alimentazione che può sopportare il carico massimo collegato e che è in linea con la legislazione vigente. Il cavo di terra giallo-verde non deve essere interrotto dall'interruttore automatico. La presa o l'interruttore automatico omnipolare utilizzati per il collegamento devono essere facilmente accessibili al momento del montaggio dell'elettrodomestico. La disconnessione può essere eseguita con la spina accessibile o aggiungendo un interruttore sul cablaggio fisso, nel rispetto delle normative relative ai cablaggi.

- Se il cavo di alimentazione si danneggia, deve essere sostituito con un cavo o uno speciale fascio di cavi disponibile presso il produttore o contattando il reparto assistenza al cliente.
- Il cavo di alimentazione deve essere di tipo H05V2V2-F.
- Questa operazione deve essere eseguita solo da un tecnico adeguatamente addestrato. Il conduttore di terra (giallo-verde) deve essere circa 10 mm più lungo degli altri conduttori. Per qualsiasi tipo di riparazione, fare riferimento unicamente al Reparto di Assistenza Cliente e richiedere l'utilizzo di ricambi originali.
- Il mancato rispetto di quanto indicato sopra può compromettere la sicurezza dell'elettrodomestico e rendere nulla la garanzia.
- Qualsiasi materiale fuoriuscito in eccesso deve essere tolto pri-

ma della pulizia.

- L'interruzione prolungata dell'alimentazione durante una fase di cottura potrebbe causare un guasto del monitor. In tal caso contattare il servizio clienti.
- L'elettrodomestico non deve essere installato dietro a una porta a scopo ornamentale per evitarne il surriscaldamento.
- Quando si posiziona uno scaffale all'interno, accertarsi che il blocco sia rivolto verso l'alto e nella parte posteriore della guida. Lo scaffale deve essere inserito completamente nella guida
- Quando si inserisce il vassoio della griglia, accertarsi che il bordo antiscivolo sia orientato verso il fondo e verso l'alto.
- **AVVERTENZA:** Non rivestire le pareti del forno con fogli di alluminio o protezioni monouso disponibili nei negozi. I fogli di alluminio o qualsiasi altra protezione, a diretto contatto con lo smalto caldo, rischiano di fondere e deteriorare lo smalto degli interni.
- **AVVERTENZA:** Non togliere mai la guarnizione della porta del forno.
- **ATTENZIONE:** Non riempire il fondo della cavità con acqua durante la cottura o quando il forno è caldo.
- Per far funzionare l'apparecchio alle frequenze nominali non sono necessarie ulteriori operazioni o regolazioni.
- Il forno può essere collocato in alto, in colonna, o sotto un piano di lavoro. Prima di fissare il forno, accertarsi che la ventilazione sia sufficiente per consentire la corretta circolazione dell'aria fresca necessaria per il raffreddamento e la salvaguardia dei componenti interni. In base al tipo di sistemazione, praticare le aperture specificate sull'ultima pagina.
- Per un corretto utilizzo del forno, evitare di collocare alimenti a contatto diretto con le griglie e i vassoi; utilizzare carta da forno e/o contenitori speciali.

Avvertenze Generali

Vi ringraziamo per aver scelto uno dei nostri prodotti. Per utilizzare il forno in modo ottimale è consigliabile leggere con attenzione questo manuale e conservarlo con cura per ogni ulteriore consultazione. Prima di installare il forno, prendere nota del numero di serie in modo da poterlo comunicare al personale del servizio di assistenza in caso di richiesta di intervento. Dopo aver rimosso il forno dall'imballaggio, verificare che non abbia subito danni durante il trasporto. In caso di dubbi, non utilizzare il forno e richiedere l'assistenza di un tecnico qualificato. Tenere tutto il materiale da imballaggio (sacchetti di plastica, polistirolo, chiodi) fuori dalla portata dei bambini. Alla prima accensione del forno può svilupparsi fumo di odore acre, causato dal primo riscaldamento del collante dei pannelli d'isolamento avvolgenti il forno: si tratta di un fenomeno assolutamente normale e, in caso si verificasse, occorre attendere la cessazione del fumo prima di introdurre le vivande. Il produttore declina ogni responsabilità in caso di mancata osservanza delle istruzioni contenute in questo documento.

NOTA: le funzioni, le proprietà e gli accessori dei forni citati in questo manuale possono variare a seconda dei modelli.

Suggerimenti sulla Sicurezza

Utilizzare il forno solo per lo scopo per cui è stato progettato, ossia solo per la cottura di alimenti; qualsiasi altro utilizzo, ad esempio come fonte di riscaldamento, è considerato improprio e quindi pericoloso. Il costruttore non può essere considerato responsabile per eventuali danni derivanti da usi impropri, erronei ed irragionevoli.

L'uso di un qualsiasi apparecchio elettrico comporta l'osservanza di alcune regole fondamentali:

- non tirare il cavo di alimentazione per staccare la spina della presa di corrente;
- non toccare l'apparecchio con mani o piedi bagnati o umidi;
- in generale è sconsigliabile l'uso di adattatori, prese multiple e prolunghe;
- in caso di guasto e/o cattivo funzionamento dell'apparecchio, spegnerlo e non manometterlo.

Sicurezza Elettrica

FARE EFFETTUARE I COLLEGAMENTI ELETTRICI AD UN'ELETTRICISTA O TECNICO QUALIFICATO.

La rete di alimentazione a cui viene collegato il forno deve essere conforme con le normative in vigore nel paese di installazione. Il produttore declina ogni responsabilità per eventuali danni derivanti dalla mancata osservanza di tali disposizioni. Il forno deve essere collegato alla rete elettrica tramite una presa a muro con messa a terra o tramite un sezionatore con più poli, a seconda delle disposizioni in vigore nel paese di installazione. La rete elettrica deve essere protetta mediante fusibili idonei e devono essere utilizzati cavi con una sezione trasversale idonea a garantire una corretta alimentazione del forno.

COLLEGAMENTO

Il forno viene fornito con un cavo di alimentazione che deve essere collegato solo a una rete elettrica con una tensione di 220-240 VCA tra le fasi o tra la fase e il neutro. Prima di collegare il forno alla rete elettrica, è indispensabile controllare:

- la tensione di alimentazione indicata sul misuratore;
- l'impostazione del sezionatore.

Il filo di messa a terra collegato al morsetto di terra del forno deve essere collegato al morsetto di terra della rete elettrica.

ATTENZIONE

Prima di collegare il forno alla rete elettrica, far controllare la continuità della messa a terra della rete elettrica ad un elettricista qualificato. Il produttore declina ogni responsabilità per eventuali incidenti o altri problemi derivanti dal mancato collegamento a terra del forno o dal suo collegamento ad una messa a terra con una continuità difettosa.

NOTA: poiché il forno potrebbe richiedere interventi di assistenza, è consigliabile prevedere la disponibilità di un'ulteriore presa a muro a cui collegare il forno dopo che è stato rimosso dallo spazio in cui è stato installato. Il cavo di alimentazione deve essere sostituito solo dal personale dell'assistenza tecnica o da tecnici con qualifiche analoghe.

Raccomandazioni

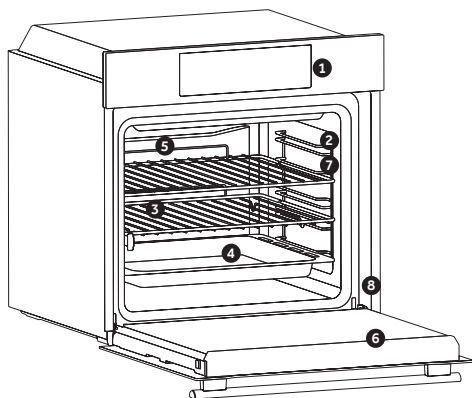
Dopo l'uso sono sufficienti alcune semplici operazioni di pulizia per mantenere il forno perfettamente pulito. Non rivestire le pareti del forno con fogli d'alluminio da cucina o fogli monouso commerciali, perché potrebbero fondersi a contatto con le superfici in smalto caldo e danneggiare le superfici in smalto all'interno del forno. Per evitare di sporcare eccessivamente il forno e prevenire la diffusione di fumo maleodorante, è consigliabile non utilizzare il forno a temperature molto alte. È generalmente preferibile impostare un tempo di cottura più lungo e utilizzare una temperatura più bassa. Oltre agli accessori forniti con il forno, è consigliabile utilizzare piatti e teglie resistenti alle alte temperature.

Installazione

Il produttore non è obbligato ad occuparsi dell'installazione. Gli eventuali interventi di assistenza, necessari per correggere problemi dovuti ad un'errata installazione, non sono coperti da garanzia. L'installazione deve essere effettuata da un tecnico qualificato e in conformità con queste istruzioni. Un'installazione impropria potrebbe causare infortuni alle persone, agli animali domestici o danni alle attrezzature. Il produttore declina ogni responsabilità per eventuali lesioni o danni dovuti ad un'errata installazione.

Il forno può essere installato in una colonna o sotto a un piano di lavoro. Prima di fissare in posizione il forno, verificare che lo spazio attorno allo stesso sia sufficiente a garantire la circolazione del flusso di aria fresco necessario a garantire il raffreddamento del forno e la sicurezza dei componenti interni. Realizzare le aperture indicate nell'ultima pagina del manuale, a seconda del tipo di installazione.

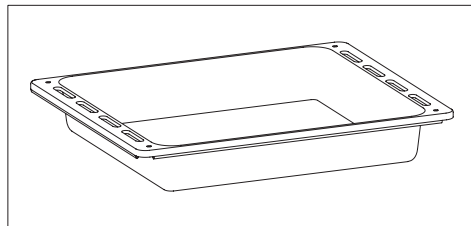
Descrizione del Prodotto



1. Pannello di controllo
 2. Posizioni dei ripiani (griglia metallica laterale se inclusa)
 3. Griglia
 4. Vassoio
 5. Ventola (se presente)
 6. Sportello del forno
 7. Griglia metalliche laterali (se presenti: solo per cavità piane)
- 8. Numero di serie**

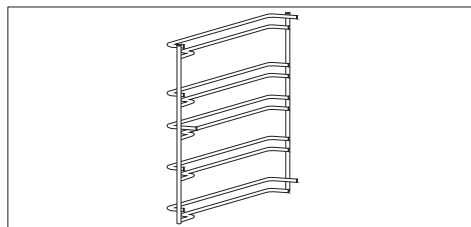
ACCESSORI

Vassoio di gocciolamento



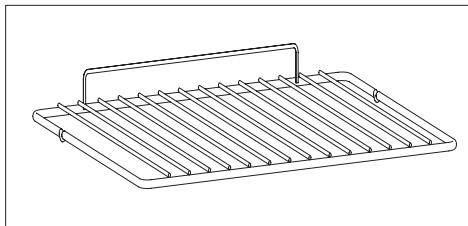
Raccoglie i residui del gocciolamento durante la cottura degli alimenti sulle griglie.

Griglie metalliche laterali (solo se presenti)



Collocate su entrambi i lati della cavità del forno, sostengono le griglie metalliche e i vassoi di gocciolamento.

Griglia metallica



Sostiene piastre e vassoi di cottura

NOTA: Per un corretto utilizzo del forno, si consiglia di non porre gli alimenti a diretto contatto con griglie e vassoi, ma di utilizzare carte forno e/o appositi contenitori.

Primo utilizzo

PULIZIA PRELIMINARE

Pulire sempre il forno prima di utilizzarlo per la prima volta. Pulire le superfici esterne con un panno morbido leggermente inumidito.

Lavare tutti gli accessori e pulire l'interno del forno con del detergente per piatti ed acqua calda. Verificare che il forno sia vuoto, impostare la temperatura massima e lasciarlo acceso per almeno 1 ora, così da rimuovere tutti gli odori normalmente presenti nei forni nuovi.





Descrizione del display



1. Manopola delle funzioni

2. Manopola della temperatura

Modalità di cottura

Manopola commutatore	T° preimpostata	Intervallo di T°	Funzione
			LAMPADA: accende la luce interna.
	220	50 ÷ MAX	* STATICO: sono in funzione le resistenze superiore e inferiore. È la cottura tradizionale, ottima per arrostiti, selvaggina, ideale per biscotti, mele al forno e per rendere i cibi molto croccanti.
	210	50 ÷ MAX	RESISTENZA INFERIORE: Ideale per la cottura di tutti i piatti a base di pasta. Utilizzare questa funzione per crostate, torte salate, torte, paté e qualsiasi cottura che ha bisogno di più calore e radiazioni dal basso.
	200	50 ÷ MAX	GRILL: Grigliatura tradizionale a porta chiusa: con questa funzione viene inserita la resistenza del grill. Ottima nella cottura di carni di medio e piccolo spessore (salsicce, costine, bacon).

*Testato in conformità con la norma EN 60350-1 relativa alla dichiarazione sui consumi energetici e la classe energetica

Pulizia e manutenzione del forno

La vita di servizio dell'apparecchio si allunga se questo viene pulito ad intervalli regolari. Attendere che il forno si raffreddi prima di effettuare le operazioni di pulizia manuali. Non utilizzare mai detergenti abrasivi, pagliette di ferro o oggetti appuntiti per la pulizia, per non danneggiare in modo irreparabile le parti smaltate. Utilizzare solo acqua, sapone o detergenti a base di candeggina (ammoniaca).

PARTI IN VETRO

E' consigliabile pulire lo sportello in vetro con carta assorbente da cucina dopo ogni utilizzo del forno. Per rimuovere le macchie più ostinate, è possibile anche utilizzare una spugna imbevuta di detergente ben strizzata e sciacquare con acqua.

GUARNIZIONE DELLO SPORTELLO DEL FORNO

Se sporca, la guarnizione può essere pulita con una spugna leggermente inumidita.

ACCESSORI

Pulire gli accessori con una spugna imbevuta con acqua e sapone, sciacquarli e asciugarli: evitare di usare detergenti abrasivi.

VASCHETTA DI GOCCIOLAMENTO

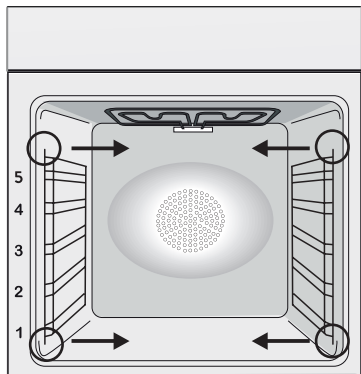
Dopo l'uso del grill, rimuovere la vaschetta dal forno. Versare il grasso caldo in un contenitore e lavare la vaschetta in acqua calda, utilizzando una spugna e del detergente per piatti.

Se rimangono dei residui di grasso, immergere la vaschetta in acqua e detergente. In alternativa, è possibile anche lavare la vaschetta nella lavastoviglie oppure utilizzare un detergente per forni di tipo commerciale. Non reinserire mai una vaschetta sporca nel forno.

Manutenzione

RIMOZIONE E PULIZIA DELLE SCAFFALATURE A FILO

- 1- Rimuovere le griglie a rete tirandole in direzione delle frecce (vedi sotto)
- 2- Per pulire le griglie a rete, metterle in lavastoviglie o utilizzare una spugna umida, assicurandosi che siano successivamente asciugate.
- 3- Dopo la pulizia, installarle in ordine inverso."



SOSTITUZIONE DELLA LAMPADINA

1. Scollegare il forno alla rete.
2. Allentare la copertura in vetro, svitare la lampadina e sostituirla con una nuova dello stesso modello.
3. Una volta sostituita la lampadina difettosa, riavvitare la copertura in vetro.

Questo prodotto contiene una o più sorgenti luminose con efficienza energetica di classe G (lampadina)/F (10 LED).

Gestione dei rifiuti e rispetto dell'ambiente



Questo apparecchio è contrassegnato in conformità alla Direttiva europea 2012/19/EU sulle apparecchiature elettriche ed elettroniche (WEEE). I WEEE contengono sia sostanze inquinanti (che possono provocare conseguenze negative sull'ambiente) che componenti di base (che possono essere riutilizzati). È importante che i WEEE siano soggetti a trattamenti specifici per rimuovere e smaltire correttamente tutti gli inquinanti e recuperare tutti i materiali. I singoli possono giocare un ruolo importante nell'assicurare che i WEEE non diventino un problema ambientale; è essenziale seguire alcune regole di base:

- i WEEE non devono essere trattati come rifiuti domestici;
- i WEEE devono essere portati ai punti di raccolta appositi gestiti dal comune o da società registrate.

In molti paesi, per i WEEE di grandi dimensioni, potrebbe essere presente la raccolta domestica.

Quando si acquista un nuovo apparecchio, quello vecchio potrebbe essere restituito al rivenditore che deve acquisirlo gratuitamente su base singola, sempre che l'apparecchio sia del tipo equivalente e abbia le stesse funzioni di quello acquistato.

RISPARMIARE E RISPETTARE L'AMBIENTE

Ove possibile, evitare di pre-riscaldare il forno e cercare sempre di riempirlo. Aprire la porta del forno quanto necessario, perché vi sono dispersioni di calore ogni volta che viene aperta. Per risparmiare molta energia sarà sufficiente spegnere il forno dai 5 ai 10 minuti prima della fine del tempo di cottura pianificato, e servirsi del calore che il forno continua a generare. Tenere le guarnizioni pulite e in ordine, per evitare eventuali dispersioni di energia. Se si dispone di un contratto di energia elettrica a tariffa oraria, il programma "cottura ritardata" renderà più semplice il risparmio spostando l'avvio del programma negli orari a tariffa ridotta.

Risoluzione dei Problemi

PROBLEMA	POSSIBILE CAUSA	SOLUZIONE
Il forno non si scalda	L'orologio non è impostato	Impostare l'orologio
Il forno non si scalda	Il blocco bambini è attivo	Disattivare il blocco bambini
Il forno non si scalda	Le regolazioni necessarie non sono impostate	Assicurarsi che le impostazioni necessarie siano corrette

Garanzie

Il prodotto è garantito, oltre che ai sensi di legge, alle condizioni e nei termini riportati sul certificato di garanzia convenzionale inserito nel prodotto. Il certificato dovrà essere conservato e mostrato al nostro Centro di Assistenza Tecnica Autorizzato, in caso di necessità, insieme allo scontrino comprovante l'acquisto dell'elettrodomestico. Puoi consultare le condizioni di garanzia anche sul nostro sito internet. Per ottenere assistenza compila l'apposito form on-line oppure contattaci al numero che trovi indicato nella pagina di assistenza del nostro sito internet.

Spis treści

- 25** Instrukcje bezpieczeństwa
- 29** Instrukcje ogólne
- 31** Opis produktu
- 32** Opis wyświetlacza
- 32** Tryby pieczenia
- 33** Czyszczenie i konserwacja piekarnika
- 33** Konserwacja
- 34** Rozwiązywanie problemów
- 35** Installation

Instrukcje bezpieczeństwa

- Podczas gotowania wilgoć może skraplać się do komory piekarnika lub na szybkę drzwiczek. Jest to zjawisko normalne. Aby je ograniczyć, należy poczekać od 10 do 15 minut po włączeniu urządzenia, zanim żywność zostanie umieszczona w piekarniku. Skropliny znikną, gdy piekarnik osiągnie temperaturę pieczenia.
- Warzywa najlepiej piec w pojemniku z pokrywą zamiast otwartego naczynia.
- Unikać pozostawiania żywności wewnątrz piekarnika po pieczeniu na dłużej niż 15/20 minut.
- **OSTRZEŻENIE:** urządzenie i niektóre z elementów nagrzewają się w trakcie ich działania. Uważać, aby nie dotknąć jakiegokolwiek gorącej części.
- **OSTRZEŻENIE:** W trakcie użytkowania piekarnika dostępne części mogą się silnie nagrzać. Małe dzieci powinny znajdować się w bezpiecznej odległości.
- **OSTRZEŻENIE:** Przed przystąpieniem do jakichkolwiek prac lub konserwacji należy odłączyć urządzenie od sieci elektrycznej.
- W celu uniknięcia zagrożenia związanego z przypadkowym ponownym włączeniem wyłącznika termicznego urządzenie nie powinno być zasilane przez zewnętrzne urządzenie przełączające, takie jak regulator czasowy, lub podłączone do obwodu, który jest regularnie włączany i wyłączany.
- Dzieci poniżej 8. roku życia muszą zachować bezpieczną odległość od urządzenia, jeśli nie są pod stałym nadzorem.
- Nie należy zezwalać dzieciom na zabawę z urządzeniem. Urządzenie to może być obsługiwane przez dzieci w wieku 8 lat lub więcej oraz osoby o ograniczonej zdolności fizycznej, czuciowej lub psychicznej bądź nieposiadające doświadczenia i wiedzy, jeśli są one pod nadzorem lub poinstruowano je w zakresie bezpiecznej obsługi urządzenia i zrozumiały one potencjalne zagrożenia, mając świadomość możliwych zagrożeń.
- Czyszczenie i konserwacja nie powinny być wykonywane przez

dzieci bez nadzoru.

- Do czyszczenia szybek drzwiczek piekarnika nie należy używać szorstkich lub ściernych materiałów ani ostrych metalowych skrobaków, ponieważ mogą one porysować powierzchnię i spowodować rozbitcie szkła.
- Piekarnik musi być wyłączony przed wyjęciem ruchomych części.
- Po wyczyszczeniu zmontować je zgodnie z instrukcjami.
- Używać wyłącznie termosondy zalecanej dla tego piekarnika.
- Nie stosować do czyszczenia urządzeń parowych ani spray'u wysokociśnieniowego.
- Jeśli piekarnik jest dostarczany przez producenta bez wtyczki: URZĄDZENIE NIE MOŻE BYĆ PODŁĄCZONE DO ŹRÓDŁA ZASILANIA ZA POMOCĄ WTYCZKI LUB GNIAZDEK, LECZ MUSI BYĆ PODŁĄCZONE BEZPOŚREDNIO DO SIECI ELEKTRYCZNEJ. Podłączenie do źródła zasilania musi być wykonane przez specjalistę z odpowiednimi kwalifikacjami. W celu uzyskania instalacji zgodnej z aktualnymi przepisami bezpieczeństwa, piekarnik musi być podłączony wyłącznie z wyłącznikiem wielobiegunowym, z separacją styków zgodną z wymaganiami dla kategorii nadnapięciowej III, pomiędzy urządzeniem a źródłem zasilania. Wyłącznik wielobiegunowy musi wytrzymać maksymalną moc przyłączeniową i musi być zgodny z obowiązującymi przepisami. Żółto-zielony przewód uziemienia nie może być zasłaniany przez wyłącznik. Wyłącznik wielobiegunowy zastosowany do podłączenia powinien być po zainstalowaniu urządzenia łatwo dostępny. Podłączenie do źródła zasilania musi być wykonane przez specjalistę z odpowiednimi kwalifikacjami z uwzględnieniem biegunowości piekarnika i źródła zasilania. Odłączenie powinno następować poprzez przełącznik w stałym okablowaniu zgodnie z obowiązującymi przepisami w zakresie okablowania.
- Jeśli piekarnik jest dostarczany przez producenta z wtyczką: Gniazdko musi być odpowiednie do obciążenia wskazanego na

tabliczce i musi posiadać podłączony oraz działający styk uziemiający.

Uziemienie oznaczone jest kolorem żółto-zielonym. Ta czynność musi być wykonana przez specjalistę z odpowiednimi kwalifikacjami. W razie niezgodności pomiędzy gniazdem i wtyczką urządzenia, należy poprosić wykwalifikowanego elektryka o zastąpienie gniazda innym odpowiednim typem. Wtyczka i gniazdo muszą być zgodne z obowiązującymi normami kraju instalacji. Podłączenie do źródła zasilania można również wykonać, umieszczając wyłącznik wielobiegunowy, z separacją styków zgodną z wymogami dla kategorii przepięciowej III, w miejscu pomiędzy urządzeniem i źródłem zasilania, które może wytrzymać maksymalne obciążenie i jest to zgodne z obowiązującymi przepisami. Żółto-zielony kabel uziemiający nie powinien być przerwany przez ten wyłącznik. Gniazdo oraz wyłącznik wielobiegunowy zastosowany do podłączenia powinien być po zainstalowaniu urządzenia łatwo dostępny. Odłączenie umożliwia się poprzez zapewnienie dostępu do wtyczki lub wstawienie przełącznika do stałego okablowania zgodnie z obowiązującymi przepisami w zakresie okablowania.

- Jeśli przewód zasilający jest uszkodzony, musi być zastąpiony kablem lub specjalną wiązką przewodów udostępnianą przez producenta lub wskazaną po skontaktowaniu się z działem obsługi klientów.
- Kabel zasilający musi być typu H05V2V2-F.
- Czynność tę powinien przeprowadzić odpowiednio wykwalifikowany specjalista. Przewód uziemiający (żółto-zielony) musi być o około 10 mm dłuższy niż pozostałe przewody. W przypadku jakichkolwiek napraw należy zwracać się wyłącznie do działu obsługi klienta i zażądać zastosowania oryginalnych części zamiennych.
- Nieprzestrzeżenie powyższej wskazówki może zakłócić bezpieczeństwo urządzenia i spowodować utratę gwarancji.
- Nadmiar rozlanych substancji należy usunąć przed czyszczeniem.

em urządzenia.

- Długa awaria zasilania podczas etapu gotowania może spowodować usterkę monitora. W takiej sytuacji należy się skontaktować z biurem obsługi klienta.
- Aby uniknąć przegrzewania się, urządzenia tego nie należy instalować za panelem dekoracyjnym.
- W razie umieszczania we wnętrzu półki należy się upewnić, że ogranicznik jest skierowany w górę i w stronę tylną komory. Półka musi być włożona całkowicie do komory.
- Podczas wkładania tacy siatkowej należy zwrócić uwagę, aby krawędź antypoślizgowa była ustawiona do tyłu i do góry.
- **OSTRZEŻENIE:** Nie zakrywać ścianek piekarnika folią aluminiową ani dostępnymi na rynku foliami jednorazowymi. Folia aluminiowa lub jakiegokolwiek inne zabezpieczenia w bezpośrednim kontakcie z powierzchniami gorącej emalii mogłyby stopić się i uszkodzić emaliowane powierzchnie wewnątrz piekarnika.
- **OSTRZEŻENIE:** Nigdy nie usuwaj uszczelki z drzwiczek piekarnika.
- **PRZESTROGA:** Nie napełniać wodą dna komory podczas gotowania lub gdy piekarnik jest gorący.
- W przypadku obsługiwanego urządzenia przy częstotliwościach znamionowych nie są wymagane żadne dodatkowe czynności/ustawienia.
- Piekarnik można umieścić wysoko w słupku lub pod blatem roboczym. Przed montażem zapewnić dobrą wentylację w przestrzeni piekarnika, aby umożliwić właściwą cyrkulację świeżego powietrza potrzebnego do chłodzenia i ochrony części wewnętrznych. Otwory podane na ostatniej stronie wykonać zgodnie z typem okucia.
- W celu prawidłowego użytkowania piekarnika nie zaleca się umieszczania żywności w bezpośrednim kontakcie z rusztami i tacami, ale używania papieru do pieczenia i/lub specjalnych pojemników.

Instrukcje ogólne

Dziękujemy za wybór jednego z naszych produktów. Aby jak najlepiej wykorzystywać posiadany piekarnik, zachęcamy do uważnego przeczytania niniejszej instrukcji i starannego przechowywania jej, aby móc z niej skorzystać w razie potrzeby w przyszłości. Przed zainstalowaniem piekarnika należy zanotować jego numer seryjny, aby móc podać go personelowi biura obsługi klienta, gdyby wymagane były jakiegokolwiek naprawy. Po wyjęciu piekarnika z opakowania należy sprawdzić, czy nie uległ on uszkodzeniu podczas transportu. W razie jakichkolwiek wątpliwości nie należy korzystać z piekarnika i zwrócić się do wykwalifikowanego technika w celu uzyskania porady. Należy trzymać z dala od dzieci wszystkie materiały opakowania (folie ochronne, styropian, kołki).

Podczas pierwszego uruchomienia piekarnika może z niego wydobyć się silny dym o nieprzyjemnym zapachu, który jest spowodowany przez klej na panelach izolacyjnych wokół rozgrzanego po raz pierwszy piekarnika.

Jest to zjawisko całkowicie normalne i należy wówczas poczekać, aż dym całkowicie się ulotni, przed umieszczeniem żywności w piekarniku. Producent zrzeka się wszelkiej odpowiedzialności za sytuacje będące wynikiem nieprzestrzegania instrukcji podanych w niniejszym dokumencie.

UWAGA: Wymienione w niniejszej instrukcji funkcje, właściwości i akcesoria piekarnika mogą być różne w zależności od zakupionego modelu.

Wskazówki dotyczące bezpieczeństwa

Z piekarnika należy korzystać wyłącznie zgodnie z jego przeznaczeniem, czyli wyłącznie do pieczenia żywności; wszelkie inne próby użytkowania, na przykład jako źródło ciepła, uważane są za niewłaściwe, a tym samym niebezpieczne. Producent nie może ponosić odpowiedzialności za jakiegokolwiek uszkodzenia będące skutkiem nieprawidłowego, błędnego lub nierozsądnego użytkowania.

Obsługa jakiegokolwiek urządzenia elektrycznego wiąże się z koniecznością przestrzegania pewnych istotnych zasad:

- Nie ciągnąć za przewód zasilania w celu odłączenia go od gniazdka prądowego;
- Nie dotykać urządzenia mokrymi lub wilgotnymi dłońmi bądź stopami;
- Ogólnie rzecz biorąc, odradza się stosowania adapterów, gniazdek wielokrotnych i przedłużaczy;
- W razie usterki i/lub nieprawidłowego działania urządzenia należy je wyłączyć i nie naruszać go.

Bezpieczeństwo elektryczne

PRZYŁĄCZA ELEKTRYCZNE POWINNY ZOSTAĆ WYKONANE PRZEZ ELEKTRYKA LUB WYKWALIFIKOWANEGO TECHNIKA. Sieć zasilająca, do której podłączany jest piekarnik, powinna być zgodna z przepisami obowiązującymi w kraju jego instalacji. Producent zrzeka się wszelkiej odpowiedzialności za ewentualne uszkodzenia będące wynikiem nieprzestrzegania takich przepisów. Piekarnik powinien być podłączony do sieci elektrycznej za pomocą gniazdka ściennego z uziemieniem lub poprzez wielobiegunowy wyłącznik, w zależności od przepisów obowiązujących w kraju instalacji. Zasilanie elektryczne powinno być zabezpieczone odpowiednimi bezpiecznikami i powinny być używane przewody o przekroju poprzecznym, który zapewni prawidłowe zasilanie piekarnika.

PODŁĄCZANIE

Piekarnik jest dostarczany z kablem zasilającym, który powinien być podłączany wyłącznie do sieci elektrycznej o napięciu 220-240 V AC pomiędzy fazami lub pomiędzy fazą i przewodem

neutralnym. Przed podłączeniem piekarnika do sieci elektrycznej należy sprawdzić:

- napięcie zasilania podane na mierniku;
- ustawienia wyłącznika.

Przewód uziemienia podłączony do zacisku uziemiającego piekarnika musi być podłączony do zacisku uziemiającego sieci elektrycznej.

OSTRZEŻENIE

Przed podłączeniem piekarnika do sieci elektrycznej ciągłość uziemienia sieci elektrycznej powinien sprawdzić wykwalifikowany elektryk. Producent zrzeka się wszelkiej odpowiedzialności za ewentualne wypadki lub inne problemy wynikające z braku podłączenia piekarnika do uziemienia lub z powodu uziemienia o nieprawidłowej ciągłości.

UWAGA: ponieważ piekarnik może wymagać czynności serwisowych, zaleca się przewidzieć dodatkowe gniazdko ściennie, do którego będzie można później podłączyć piekarnik po wyjęciu go z miejsca, w którym go zainstalowano. Przewód zasilający powinien być wymieniany wyłącznie przez personel techniczno-serwisowy lub techników posiadających jednakowe kwalifikacje.

Zalecenia

Po każdym użyciu piekarnika kilka prostych czynności związanych z czyszczeniem go pozwoli utrzymać piekarnik w idealnej czystości.

Nie zakrywaj ścian piekarnika papierem aluminiowym ani dostępnymi na rynku foliami jednorazowymi, ponieważ w kontakcie z powierzchniami gorącej emalii mogłyby one stopić się i uszkodzić emaliowane powierzchnie wewnątrz piekarnika. Aby zapobiec nadmiernemu brudzeniu się piekarnika i wydostawaniu się z niego nieprzyjemnie pachnącego dymu, zaleca się nie używać piekarnika na najwyższych temperaturach. Zwykle lepiej jest wydłużyć czas pieczenia i stosować niższą temperaturę. Poza akcesoriami dostarczonymi z piekarnikiem zaleca się używać naczyń i form odpornych na wysokie temperatury.

Instalacja

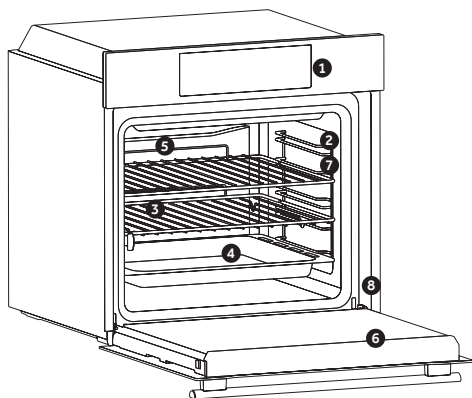
Za instalację piekarnika odpowiedzialny jest użytkownik. Producent nie ma obowiązku wykonania instalacji. Usterki spowodowane błędami instalacji nie podlegają warunkom gwarancji udzielanej przez producenta. Instalacja powinna być powierzona wykwalifikowanym osobom i wykonana zgodnie z zaleceniami producenta. Nieprawidłowa instalacja stwarza niebezpieczeństwo dla osób, zwierząt lub rzeczy osobistych. Producent nie ponosi odpowiedzialności za tego typu szkody.

Zespół kuchenny, w którym ma być zainstalowany piekarnik, musi być wykonany z materiałów odpornych na temperaturę przynajmniej 70°C.

Piekarnik może być usytuowany na górze w szafce kuchennej lub pod blatem.

Przed zainstalowaniem piekarnika upewnij się, czy w miejscu instalacji zapewniona będzie dobra wentylacja gwarantująca dopływ świeżego powietrza, niezbędnego do chłodzenia piekarnika i do zabezpieczenia jego części wewnętrznych. W zależności od typu instalacji należy wykonać wycięcia przedstawione na końcu instrukcji.

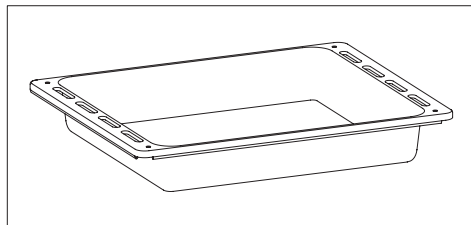
Opis produktu



1. Panel sterowania
 2. Pozycje półek (boczna siatka, jeśli jest dołączona)
 3. Siatki
 4. Tace
 5. Wentylator (jeśli występuje)
 6. Drzwiczki piekarnika
 7. Boczne siatki (jeśli występują: tylko dla płaskich komór)
- 8. Numer seryjny**

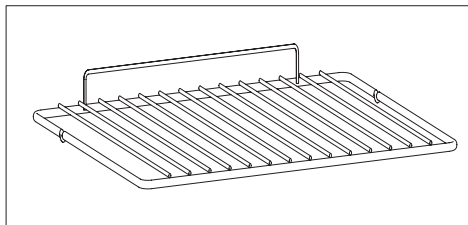
AKCESORIA

Taca ociekowa



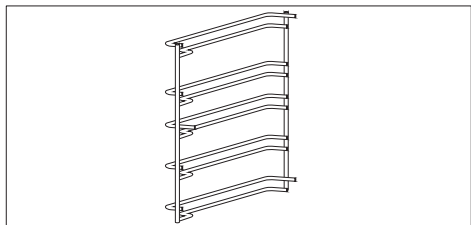
Zbiera resztki, które ociekają podczas pieczenia potraw na grillu.

Siatka metalowa



Podtrzymuje blachy i tacki do pieczenia.

Boczne siatki (tylko jeśli występują)



Umieszczone po obu stronach komory piekarnika, podtrzymują metalowe grille i ociekacze.

Pierwsze Użycie

Przed użyciem piekarnika po raz pierwszy należy: Wytrzeć powierzchnie zewnętrzne piekarnika miękką wilgotną szmatką. Umyć wszystkie elementy wyposażenia i wytrzeć wewnątrz piekarnika używając roztworu gorącej wody i płynu do zmywania naczyń. Ustawić pusty piekarnik na maksymalną temperaturę i pozostawić włączony przez około 1 godzinę, co pozwoli usunąć zapach nowości. W tym czasie należy zapewnić dobrą wentylację pomieszczenia. oven with a solution of hot water and washing up liquid. Set the empty oven to the maximum temperature and leave on for about 1 hour, this will remove any lingering smells of newness.

Opis wyświetlacza



1. Pokrętko funkcji
2. Pokrętko termostatu

Tryby pieczenia

Pokrętko funkcji	T °C domyślne	T °C zakres	Funkcja
			LAMPKA: Włącza oświetlenie piekarnika.
	220	50 ÷ MAX	* STATYCZNY: Używane są zarówno grzałki górne, jak i grzałki dolne. Należy rozgrzewać piekarnik przez około dziesięć minut. Ta metoda jest idealna w przypadku wszystkich tradycyjnych wypieków i pieczonych potraw. Do pieczenia czerwonych mięs, pieczonej wołowiny, nóżek jagnięcych, dziczyzny, chleba, potraw w folii (w papilotach), kruchego ciasta. Umieść potrawę i jej naczynie na półce w środkowej pozycji.
	210	50 ÷ MAX	PODGRZEWANIE DOLNE: Wykorzystywana jest dolna grzałka. Metoda nadaje się doskonale do pieczenia potraw na bazie ciasta, takich jak placki, quiche, tarta, pasztet oraz do pieczenia wymagającego większej ilości ciepła promieniującego od dołu.
	230	50 ÷ MAX	GRILL: Z funkcji grill korzystaj przy zamkniętych drzwiczkach. Górna grzałka jest używana samodzielnie i możesz regulować temperaturę pieczenia. Wymagane jest pięć minut wstępnego nagrzewania, aby elementy rozgrzały się do czerwoności. Doskonała funkcja do grillowania, przyrządzania kebabów i zapiekanek. Białe mięso należy ustawić nieco dalej od grilla; czas pieczenia jest dłuższy, ale mięso będzie miało lepszy smak. Czerwone mięsa i ryby filetowane możesz umieścić na półce, umieszczając pod nią tacę na tłuszcz.

*Przetestowano zgodnie z EN 60350-1 do celów związanych z deklaracją zużycia energii i klasy energetycznej.

Czyszczenie i konserwacja piekarnika

Żywotność urządzenia będzie dłuższa, jeśli będzie ono regularnie czyszczone. Należy poczekać na ochłodzenie się piekarnika przed wykonaniem czyszczenia ręcznego. Nie używać nigdy do czyszczenia ściernych detergentów, myjek drucianych lub ostrych przedmiotów, aby nie uszkodzić w nieodwracalny sposób elementów emaliowanych. Stosować wyłącznie wodę, mydło lub detergenty na bazie amoniaku.

ELEMENTY SZKLANE

Po każdym użyciu piekarnika zaleca się przeczyszczyć szybę drzwiczek papierowym ręcznikiem kuchennym.

Aby usunąć bardziej uciążliwe plamy, można również użyć gąbki zwilżonej detergentem, dobrze wyżętej i przepłukać wodą.

USZCZELKA DRZWICZEK PIEKARNIKA

W razie zabrudzenia uszczelki drzwiczek pieka-

rnika można ją wyczyścić delikatnie zwilżoną gąbką.

AKCESORIA

Aksesoria należy czyścić gąbką zwilżoną wodą i mydłem, przepłukać je i wysuszyć: unikać stosowania ściernych detergentów.

TACA NA TŁUSZCZ

Po użyciu ruszty należy wyjąć tacę na tłuszcz z piekarnika. Wlać gorący tłuszcz do pojemnika i umyć tacę gorącą wodą, posługując się gąbką i płynem do mycia naczyń.

W razie pozostałości tłuszczu należy zanurzyć tacę w pojemniku z wodą i detergentem. Ewentualnie można również umyć tacę w zmywarce lub użyć dostępnych na rynku detergentów do piekarników.

Nigdy nie wkładać ponownie do piekarnika zabrudzonej tacy.

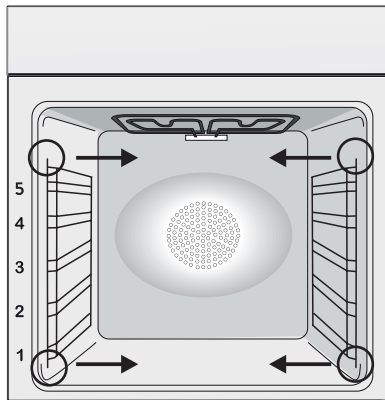
Konserwacja

WYJMOVANIE I CZYSZCZENIE RUSZTÓW

1- Wyjąć ruszty druciane, pociągając je w kierunku strzałek (patrz poniżej).

2- Aby wyczyścić ruszty druciane, należy umieścić je w zmywarce lub użyć wilgotnej gąbki, upewniając się, że zostaną one następnie wysuszone.

3- Po zakończeniu czyszczenia zainstalować ruszty druciane, wykonując czynności w odwrotnej kolejności.



WYMIANA ŻARÓWKI

1. Odłączyć piekarnik od zasilania.

2. Odłączyć pokrywę szklaną, odkręcić żarówkę i wymienić ją na nową tego samego typu.

3. Po wymianieniu przepalanej żarówki włożyć na miejsce szklaną pokrywę.

Ten produkt zawiera jedno lub więcej źródeł światła o klasie efektywności energetycznej G (Lampa) /F (10 Led).

Gospodarka odpadami i ochrona środowiska



Urządzenie to jest oznaczone zgodnie z Dyrektywą Europejską 2012/19 / UE w sprawie zużytego sprzętu elektrycznego i elektronicznego (WEEE). Zużyty sprzęt elektryczny i elektroniczny zawi-

era zarówno substancje zanieczyszczające (o negatywnym oddziaływaniu na środowisko naturalne), jak i podstawowe elementy (które można użytkować wielokrotnie). Ważne, aby zużyty sprzęt elektryczny i elektroniczny poddawać specjalnej obróbce w celu bezpiecznego usunięcia i pozbycia się wszystkich środków zanieczyszczających i odzyskania wszystkich surowców wtórnych.

Poszczególne osoby odgrywają ważną rolę w zapobieganiu szkodliwemu oddziaływaniu zużytego sprzętu elektrycznego i elektronicznego na środowisko, ważne aby przestrzegać kilku podstawowych zasad:

- Zużyty sprzęt elektryczny i elektroniczny nie może być traktowany jako odpad komunalny.
- Zużyty sprzęt elektryczny i elektroniczny przekazuje się do właściwych punktów zbiórki prowadzonych przez gminy lub koncesjonowane firmy. W wielu krajach, gdzie jest dużo zużytego sprzętu elektrycznego i elek-

tronicznego, odbiera się go z domów.

- gdy kupuje się nowe urządzenie, zużyte można zwrócić do sprzedawcy, który musi je przyjąć bezpłatnie, na zasadzie zamiany jeden za jeden, o ile urządzenie to jest tego samego rodzaju i ma takie same funkcje, jak urządzenie dostarczone

OSZCZĘDNOŚĆ ENERGII I POSZANOWANIE ŚRODOWISKA

Tam gdzie to możliwe, należy unikać wstępnego podgrzewania piekarnika i zawsze starać się go zapęłnić. Jak najrzadziej otwierać drzwiczki piekarnika, ponieważ za każdym razem, gdy zostaną otwarte z wnętrza ucieka ciepło. W celu uzyskania znacznej oszczędności energii piekarnik należy wyłączyć na 5-10 minut przed planowanym zakończeniem pieczenia, co pozwoli na wykorzystanie ciepła odpadowego, które nadal generuje piekarnik. Uszczelki powinny być czyste i spełniać swoje zadanie, aby uniknąć wydostawania się ciepła poza wnętrze piekarnika. Jeśli Twoja umowa z dostawcą energii opiera się na taryfie godzinowej, program "opóźnionego startu" upraszcza oszczędzanie energii, uruchamiając proces pieczenia w czasie obowiązywania niższej taryfy.

Rozwiązywanie problemów

Problem	Możliwa przyczyna	Rozwiązanie
Piekarnik nie rozgrzewa się	Zegar nie jest ustawiony	Ustawić zegar
Piekarnik nie rozgrzewa się	Włączona jest blokada dziecięca	Wyłączyć blokadę dziecięcą
Piekarnik nie rozgrzewa się	Nie ustawiono funkcji pieczenia i temperatury	Upewnić się, że wymagane ustawienia są prawidłowe



EN If the furniture is covered with a bottom at the back part, provide an opening for the power supply cable.

IT Se il mobile ha un fondo posteriore, praticare un foro per il passaggio del cavo di alimentazione.

PL Jeśli mebel jest wyposażony w pokrywę w części tylnej, należy przewidzieć w niej otwór na kabel zasilający. må du sørge for en åpning til strømforsyningskabelen.



EN If the mounting of the plinth does not allow air circulation, it is necessary to create an opening of 500x10 mm or the same surface in 5000 mm².

IT Se la zoccolatura non consente la circolazione dell'aria, è necessario creare un'apertura di 500x10 mm o 5000 mm².

PL Jeśli montaż na cokole nie pozwala na cyrkulację powietrza, aby uzyskać maksymalną wydajność piekarnika konieczne będzie wykonanie otworu 500x10mm lub o tej samej powierzchni 5000mm².



EN If the oven does not have a cooling fan, create an opening 460 mm x 15 mm

IT Se il forno non dispone di una ventola di raffreddamento, lasciare uno spazio 460 mm x 15 mm.

PL Jeśli piekarnik nie posiada wentylatora chłodzącego, należy wykonać otwór 460 mm x 15 mm.

EN The manufacturer will not be responsible for any inaccuracies resulting from printing or transcript errors contained in this brochure. We reserve the right to carry out modifications to products as required, including the interests of consumption, without prejudice to the characteristics relating to safety or function.

IT Il produttore declina ogni responsabilità per inesattezze contenute nel documento stampato o per errori di trascrizione contenuti in questa brochure. Inoltre, si riserva il diritto di apportare modifiche al prodotto, nell'interesse dei consumatori, senza alcun pregiudizio per la sua sicurezza o funzionalità.

PL Producent nie odpowiada za jakiegokolwiek błędy drukarskie. Zastrzegamy sobie prawo do wprowadzania zmian i modyfikacji naszych produktów zgodnie z potrzebami wynikającymi z zainteresowania konsumentów, bez jakiegokolwiek szkody dla właściwości bezpieczeństwa lub funkcji



70016107

